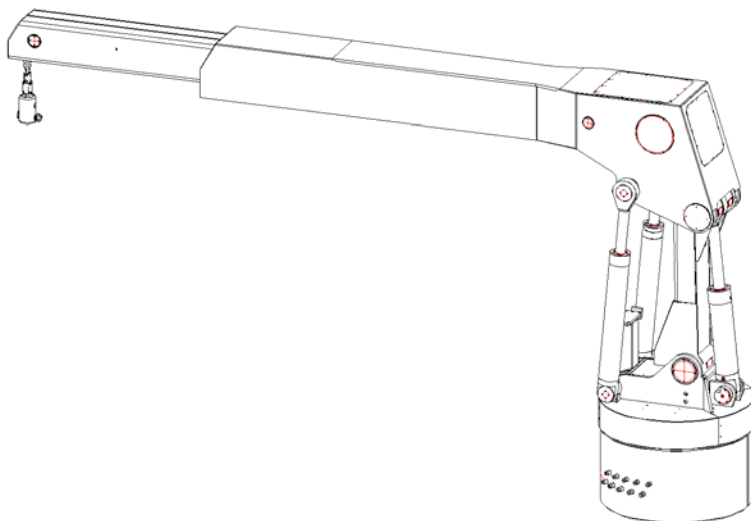


GILBERT & SCHMALRIEDE

Self erecting telescope yacht crane
SWL from 500 kgs up to 4000 kgs



Our new design patented design line is developed for a small stowage height and in opposite for a very height working position. Furthermore our new construction has a very short stowed length for installation below hatches. We have developed this design line as MOB-crane with MCA/Solas approval and as heavy-lift crane.



DESCRIPTION:

The swivel platform has a rotation area about 355°. The crane jib can be raised about 70°. All functions can be driven proportional and it can be driven two functions at the same time. The swivel platform is driven via two hydraulic swivel drives. The movement of the rope take place by a hydraulic winch which is located inside the crane jib. All hydraulic functions are integrated in a cable- or wireless remote control.

HABM- No.: 001863226-0001

Gilbert & Schmalriede GmbH & Co. KG

Friedrich-Kocks-Str.3 . D-28197 Bremen . Phone : +49 (0) 421 59659-0 . Fax: +49 (0) 421 59659-260

www.gilbert-schmalriede.de . info@gilbert-schmalriede.de