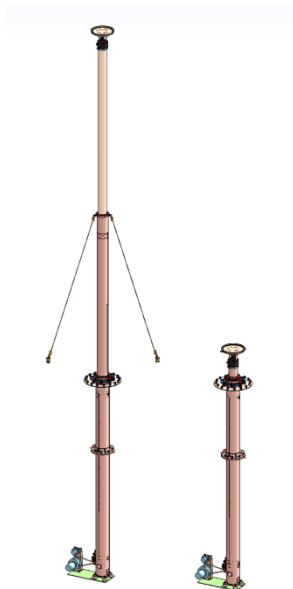
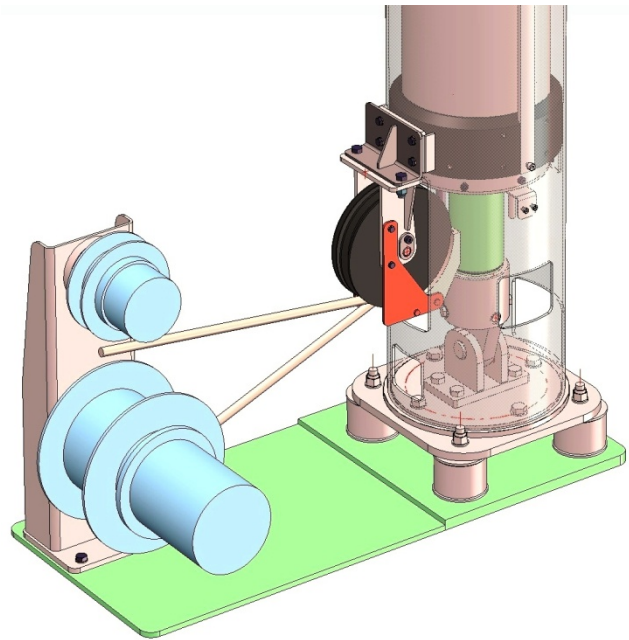
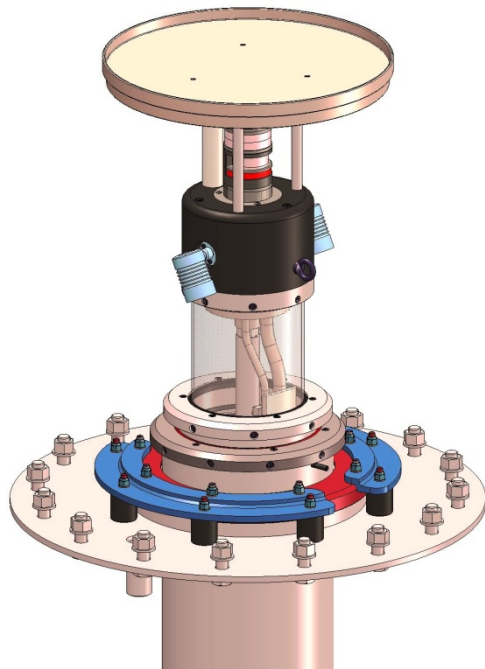




## Telescopic Mast



### DESCRIPTION:

On the top of the Telescopic Mast the working and navigation lamps are mounted. An inner guiding system of the mast prevents the twisting of the individual telescopic stages. The mast foundation is such designed that a pulley can be mounted directly to the mast tube which leads the power cable directly into the mast. A cable routing prevents the cable to spring of the roll. A roll holder carries the spring reel in a distance defined by the manufacturer. The upper and lower mast position will be secured by limit switches.

---

Our patented design line is developed for single or multiple telescopic masts.

---

HABM-No.: 003063395-0001

### Gilbert & Schmalriede GmbH & Co. KG

Friedrich-Kocks-Str.3 . D-28197 Bremen . Phone: +49(0)421 59659-0 . Fax:+49(0)421 59659-260  
www.gilbert-schmalriede.de . info@gilbert-schmalriede.de